

powerbar  
price list

july 2016

### Prices and Specifications

Prices and specifications are subject to change without notice. All prices quoted will be FOB our factories. If applicable, sales tax will be based on ship-to destination.

Bernhardt Design reserves the right to make changes in dimensions, design and/or construction, price lists, or product literature without prior notice.

### Order Entry

All orders are subject to final acceptance by Bernhardt Design in Lenoir, NC. Receipt of our acknowledgment indicates acceptance of your order subject to the terms set forth on the acknowledgment.

Bernhardt Design attempts to clarify all purchase orders. However, in the event the price list number and description on the purchase order differ, the price list number will prevail.

### Changes / Cancellation

All orders in production are considered firm orders and are not subject to changes or cancellation.

### Custom Design

Bernhardt Design may alter products to meet specific needs. Contact your local sales representative when a custom design is needed. Custom designs require minimum quantities, additional lead time and upcharges. A custom job number, available from your local sales representative, must be submitted with purchase orders. Orders combining custom design with standard product cannot be scheduled for production until custom items are approved.

### Shipping

Bernhardt Design will ship in accordance with customer instructions whenever possible. If not specified, Bernhardt Design will exercise its best judgement in selecting a carrier. Orders in production will be shipped as scheduled and cannot be held. High quality cartoning which meets trucking and railroad specifications is standard at no extra charge.

### Freight Damage and Claims

Bernhardt Design is not liable for damages that occur during transit or storage. The carrier assumes all responsibility upon acceptance of product. It is the customer's responsibility to inspect all products upon receipt and file any claims with the carrier. No product should be refused. If products are received damaged, a written exception should be made on the bill of lading and an immediate inspection be requested of the carrier. Concealed damage must be reported to the carrier within 10 business days from date of delivery. Failure to make claims shall constitute acceptance of the products and waiver any claims of defects, errors or shortages.

In the event delivery is made on a Bernhardt Design truck, the products should be carefully inspected for transit damage. If contents are damaged, the driver should be notified to call his dispatcher for immediate disposition. Concealed damage must be reported within 10 business days from date of delivery and product/packaging held for inspection by a Bernhardt Design representative.

### Returns

No merchandise may be returned to Bernhardt Design without written consent in the form of a Return Authorization from our Quality Assurance Department stating reason for return and how the item will be shipped.

Unauthorized returns will be automatically refused by our receiving department as well as returns not in accordance with Bernhardt Design shipping instructions. Liability for defective merchandise shall be limited to the replacement or repair of that merchandise, and Bernhardt Design shall not be liable for other damages or losses.

### Measurements and Weights

All measurements and weights are approximate and subject to change without notice.

### Care and Cleaning

Finished wood surfaces should be cleaned with a soft damp cloth, wiping in the direction of the grain. Dry with a soft cloth, wiping in the grain direction. Do not use waxes or furniture polish, as these will cause a film build-up.

### Wood Finishes

Bernhardt Design tables are available in standard finishes compatible with casegoods and seating finishes. However, finishes on tables may vary slightly from those on casegoods and seating due to the natural characteristics of the wood. No absolute match is implied or guaranteed.

### Light Finishes

Bernhardt Design offers lighter finishes 836, 837, 840, 850 and 870. Light finishes do not hide or mask the natural characteristics of the wood. It is important that the dealer and customer understand that inherent natural characteristics of the wood will vary from piece to piece when using a light finish. Natural characteristics include the natural discolorations of the wood substance and color variations in glued up stock. These natural characteristics are not considered defects by Bernhardt Design, and therefore merchandise will not be replaced because of these natural characteristics.

### Special Finishes

Special finishes, made to customer specifications and subject to factory approval, may be available at a **5% net upcharge with a \$500 net minimum**. Additional leadtime may be required for special finish items. Special finish orders will not be acknowledged until the special finish sample is approved in writing and received by Bernhardt Design Customer Service. Special finish orders are not subject to revision or cancellation after acknowledgment.

### Warranty

Bernhardt Design will repair or replace, at its discretion and without charge to the original purchaser, any table product or part thereof which fails as the result of defects in material and workmanship, under single shift use and normal care, for five years from date of shipment. This warranty does not cover misuse or abuse of product, dramatic temperature changes, exposure to unusual conditions, or damages incurred by contact with seating products.

---

Repair or replacement of discontinued product will be at the discretion of Bernhardt Design.

Natural color changes, variations or movements in lumber or veneer products, exposure to extreme temperature changes and direct sunlight may cause color changes and/or surface damage. These are circumstances beyond the control of Bernhardt Design and are not warranty issues.

Drawer glides, drawer boxes, drawer pulls, and locking mechanisms have a Life-Time Warranty for the original purchaser. Power or communications components are warranted for one (1) year.

This warranty is the customer's exclusive remedy for product defect and does not apply to damage caused by a carrier, dealer, installer, user modification, or attachments to a product.

Bernhardt Design has the exclusive right to make the final determination of product misuse or abuse. Except as stated above, Bernhardt Design makes no express or implied warranties as to any product, and in particular, makes no warranty of merchantability or of fitness for any particular purpose. Bernhardt Design shall not be liable for any consequential or incidental damages or for commercial loss arising from any product defect. The Bernhardt Design customer is the dealer. All complaints must be resolved through the dealer from which the furniture was purchased.

To obtain warranty service the dealer must supply dated proof of purchase. This warranty gives you specific legal rights. You may also have other rights which vary from state to state.

Some states do not allow limitations on how long an implied warranty will last or the exclusion or limitation of incidental or consequential damages, so the above limitations or exclusions may not apply.

#### **Design and Patent Rights**

All of the products shown in Bernhardt Design catalogs and described in Bernhardt Design price lists are, and remain, the property of Bernhardt Design, with the sole right reserved to manufacture and to distribute. Some of the product designs shown are patented in the United States and will remain the property of Bernhardt Design. Any reproduction of the products constitutes an infringement of patented copyright laws and will be subject to prosecution.

Bernhardt Design reserves the right to make changes in dimensions, design and/or construction, price lists, or product literature without prior notice.

#### **General Services Administration**

Products available on the Bernhardt Design GSA - Federal Supply Service Contract GS-28F-7040G are noted in the product descriptions.

For information regarding GSA pricing, please contact your local Bernhardt Design sales representative or call 828 759 6337.

Send all GSA payments to:

12197 Collections Center Drive

Chicago IL 60693

**Preferred Carrier Guaranteed Freight Rates**

Freight charges will be applied to orders as a separate line item based on the zones listed. Rates are based on zones with a minimum for each zone. All zones are located within the Continental United States.

The freight amount is calculated on the total merchandise net price, excluding any extra discounts beyond standard net pricing. Additional freight fuel surcharges may apply. Rates are based on deliveries made Monday through Friday, 8 am until 5 pm.

All orders are shipped by Bernhardt Design company trucks or preferred carriers specified by Bernhardt Design. Dealer warehouse information, including phone number and contact name, must be specified on the purchase order.

Direct site deliveries may be requested with an additional freight cost. Requests for direct site deliveries must be made 2 weeks prior to the scheduled ship week and meet the following criteria:

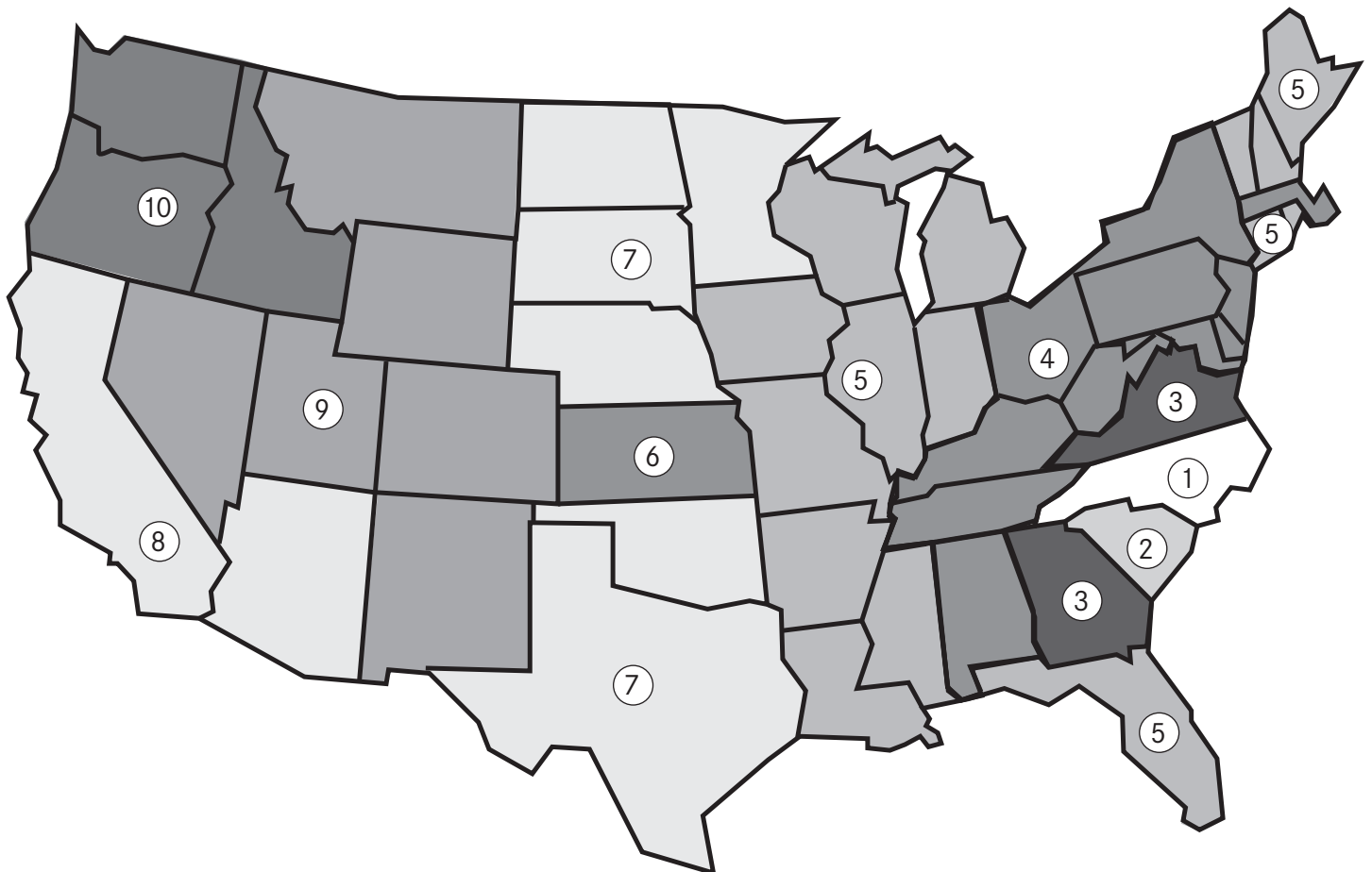
- Minimum of half truckload
- Delivery site accessible by a 53' trailer
- Complete delivery site address with contact name and on-site phone number
- Labor available for unloading

Deliveries that do not meet the criteria must be directed to a receiver warehouse. If a receiver warehouse is not available, the dealer may make arrangements with their own 3rd party carrier. If a 3rd party carrier is elected, a contact name, phone number and e-mail address is required.

Weekend direct site deliveries will incur a \$500 per trailer weekend delivery fee. Weekend is defined as between 5 pm Friday and 8 am Monday.

Zone	Minimum Charge	Freight Rate	Average Service Days
1	\$80	5%	2-4 Business Days
2	\$80	6%	2-4 Business Days
3	\$90	7%	3-5 Business Days
4	\$90	8%	5-7 Business Days
5	\$90	9%	6-9 Business Days
6	\$110	10%	6-9 Business Days
7	\$110	11%	7-10 Business Days
8	\$120	12%	8-12 Business Days
9	\$120	13%	8-12 Business Days
10	\$120	15%	10-15 Business Days

**Note:** Average Service Days excludes ship day.



## Finish Selections

A three character sku identifies the finish on each species or the laminate selection. Individual components are priced with standard finish or standard laminate.

Special finishes on veneers made to customer specifications are subject to factory approval and a 5% net upcharge with a \$500 net minimum.

Transparent stains and sealers are applied in multiple steps to enhance the beauty of the natural wood. A durable, baked-on, top-coat of conversion varnish or UV topcoat is applied to protect the product. It is recommended that felt, cork or fabric backed desk pads and accessories are used on worksurfaces to minimize wear.

When specifying light finishes such as 836, 837, 840, 850 or 870, the color and characteristic variances of both veneer and solid wood are apparent. Therefore, exact color matches are not possible.

### **J** Cherry

Standard Finish

805            840

834            841

836            861

839

### **E** Maple

Standard Finish

837

850

### **C** Oak

Standard Finish

805            860

836            861

837            865

839            866

840            870

### **G** Paldao

Standard Finish

823            861

839            866

841            870

860

### **W** Walnut

Standard Finish

823            861

839            866

841            870

860

**Powerbar**



Powerbar is offered in a 37" counter height and a 43" bar height in 24", 30", 36" and 42" widths with lengths in 12" increments ranging from 48" to 120".

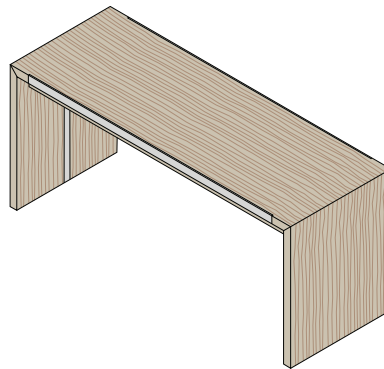
The 24" wide console unit is single sided only and intended to be used against a wall; all other widths are configured to be used from both sides.

The top and end panels are 2 1/8" thick with miter corner details. Available with a solid wood front edge or an inset aluminum edge front trim. The end panels feature a removable wireway access cover in a brushed stainless steel finish.

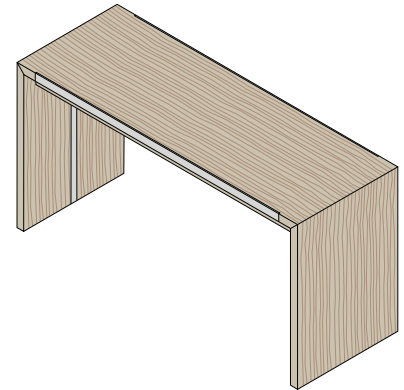
Powerbar features an integral shelf for temporary storage of papers or electronics. Power options are available in multiple locations within the shelf opening or mounted in the worksurface.

Powerbar is specified and sold under one sku number. Tables 84" and under will be shipped assembled, and tables larger than 84" will be shipped KD unless otherwise requested.

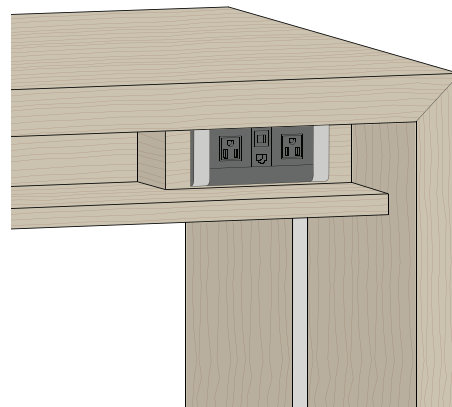
Approved for GSA Contract GS-28F-7040G



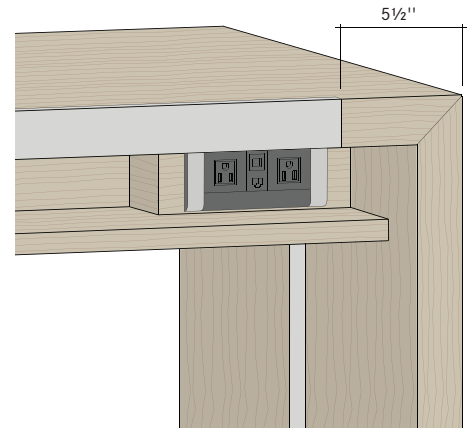
Counter Height: 37"



Bar Height: 43"



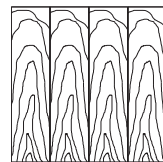
Miter corner with wood trim.  
Specify edge style X.



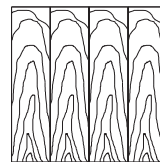
Miter corner with aluminum trim.  
Specify edge style 4.

**Veneer**

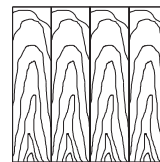
**J** Cherry Flat Cut



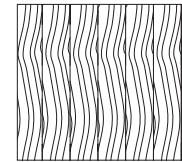
**9** Walnut Flat Cut



**E** Maple Flat Cut



**C** Oak - Rift Cut



**specification codes**

series  
 powerbar

sku

veneer  
 cherry  
 maple  
 oak  
 walnut

edge style  
 wood edge  
 aluminum edge

teleadapt location  
 none  
 1 center  
 2 both ends  
 3 center and both ends

finish  
see appendix

surface vault location  
 none  
 11 center  
 12 both ends

**Powerbar Electrical / Wire Management**

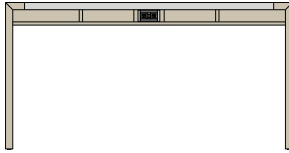
**TeleAdapt**



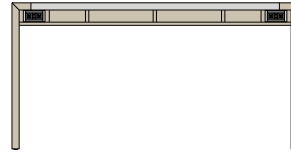
The TeleAdapt power/data module is offered for use in the shelf opening. This unit is available with two grounded outlets and one RJ45 jack with a 9 foot grounded plug. The unit is black with aluminum trim. The TeleAdapt locations must be specified and the units ordered separately.

TeleAdapt modules may be used in conjunction with Surface Power Vaults. The Surface Power Vault locations must be specified and the units ordered separately.

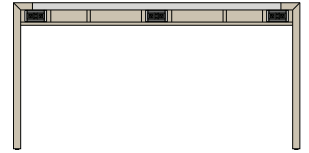
**24" Console Table**



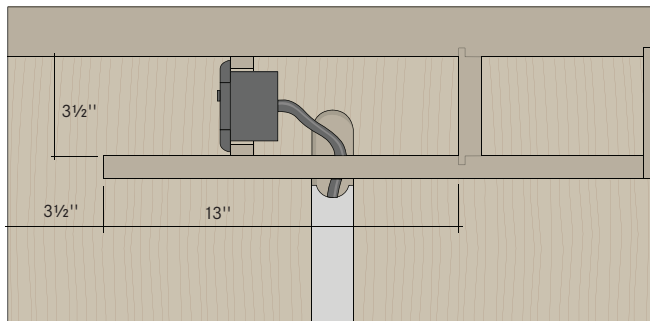
Center location one side.  
Specify TeleAdapt location 01.  
Specify one GVTT TeleAdapt unit.



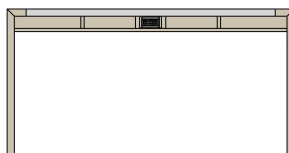
End locations one side.  
Specify TeleAdapt location 02.  
Specify two GVTT TeleAdapt units.



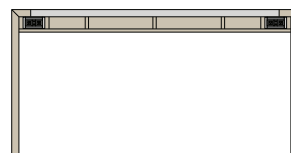
Center and end locations one side.  
Specify TeleAdapt location 03.  
Specify three GVTT TeleAdapt units.  
For tops 108" and 120" only.



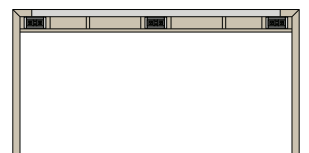
**30" - 36" - 42" Tables**



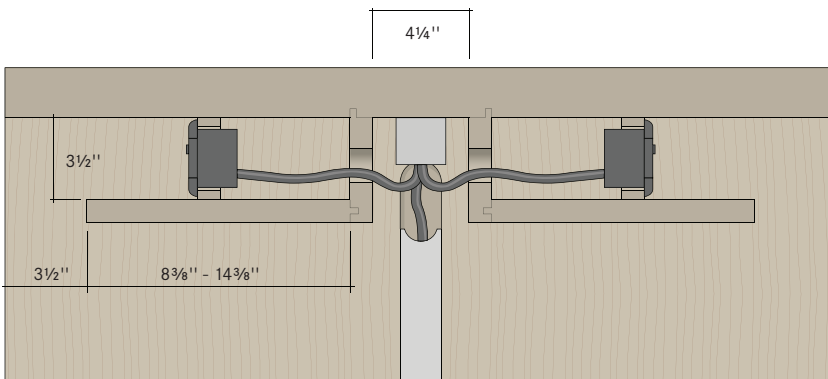
Center location both sides.  
Specify TeleAdapt location 01.  
Specify two GVTT TeleAdapt units.



End locations both sides.  
Specify TeleAdapt location 02.  
Specify four GVTT TeleAdapt units.



Center and end locations both sides.  
Specify TeleAdapt location 03.  
Specify six GVTT TeleAdapt units.  
For tops 108" and 120" only.



Powerbar Electrical / Wire Mangement

Surface Power Vault



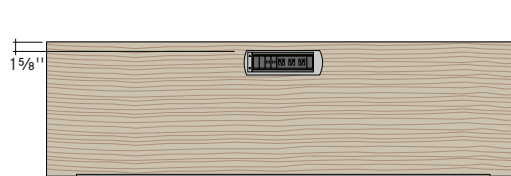
For worksurface power requirements, the Surface Power Vault is a motorized power module that opens and closes by the touch of a button. Available with anodized aluminum cover and trim, the unit is equipped with a 12 foot grounded plug, three grounded outlets, and a 5v powered USB port.

The Surface Power Vault may be used in conjunction with TeleAdapt modules. The Surface Power Vault locations must be specified and the units ordered separately.

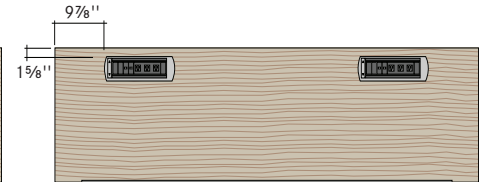
Power Harness

The power harness is designed to work with the Teleadapt, the Surface Power Vault, or as an independent component. The VER has six grounded outlets with a ten foot, 15 amp cord. Units are UL listed and CSA certified. Rated for 120 volt, 60Hz at 15 amps.

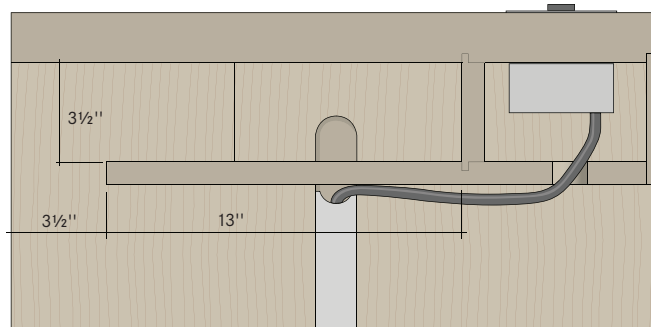
24" Console Table



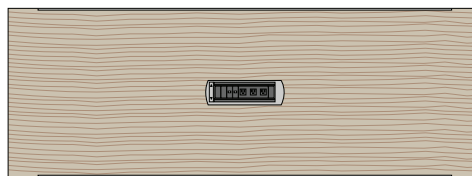
Center location.  
Specify Surface Vault location 11.  
Specify one CSTV Surface Vault.



End locations.  
Specify Surface Vault location 12.  
Specify two CSTV Surface Vaults.



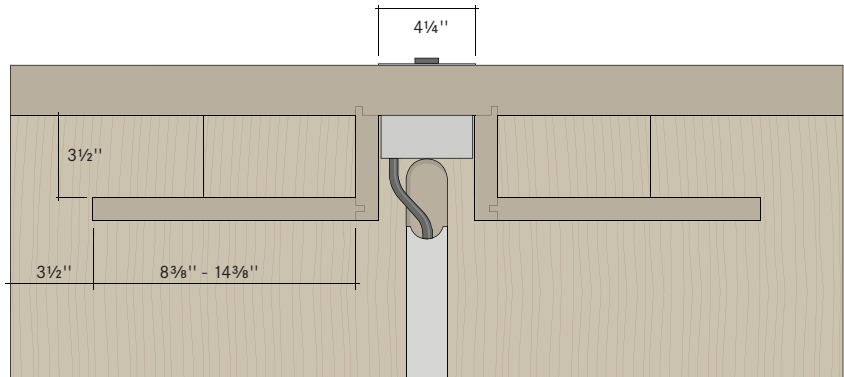
30" - 36" - 42" Tables



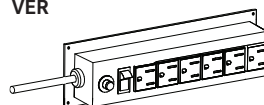
Center location.  
Specify Surface Vault location 11.  
Specify one CSTV Surface Vault.



End locations.  
Specify Surface Vault location 12.  
Specify two CSTV Surface Vaults.



VER







**counter height powerbar table**

24" w console designed for use against wall with aluminum trim and shelf power options for one side only. 48" to 120" long in 12" increments.

Removable brushed stainless steel finish wireway access cover.

Specify separately TeleAdapt and Surface Power Vaults.

	sku	w	d	h	weight	specifications	price
	C9A	48	24	37	164	shelf depth 14 1/4"	\$ 3919
	E9A	60	24	37	187	shelf depth 14 1/4"	4410
	G9A	72	24	37	211	shelf depth 14 1/4"	4713
	I9A	84	24	37	234	shelf depth 14 1/4"	4973
	K9A	96	24	37	257	shelf depth 14 1/4"	5236
	M9A	108	24	37	281	shelf depth 14 1/4"	5499
	O9A	120	24	37	304	shelf depth 14 1/4"	5762

	COA	48	30	37	179	shelf depth 8 3/8"	4597
	EOA	60	30	37	204	shelf depth 8 3/8"	4908
	GOA	72	30	37	229	shelf depth 8 3/8"	5307
	IOA	84	30	37	255	shelf depth 8 3/8"	5619
	KOA	96	30	37	280	shelf depth 8 3/8"	5934
	MOA	108	30	37	305	shelf depth 8 3/8"	6250
	OOA	120	30	37	330	shelf depth 8 3/8"	6566

	CAA	48	36	37	204	shelf depth 11 3/8"	5002
	EAA	60	36	37	236	shelf depth 11 3/8"	5366
	GAA	72	36	37	261	shelf depth 11 3/8"	5816
	IAA	84	36	37	289	shelf depth 11 3/8"	6182
	KAA	96	36	37	318	shelf depth 11 3/8"	6548
	MAA	108	36	37	347	shelf depth 11 3/8"	6916
	OAA	120	36	37	375	shelf depth 11 3/8"	7284

	CBA	48	42	37	234	shelf depth 14 3/8"	5407
	EBA	60	42	37	267	shelf depth 14 3/8"	5823
	GBA	72	42	37	300	shelf depth 14 3/8"	6326
	IBA	84	42	37	385	shelf depth 14 3/8"	6744
	KBA	96	42	37	366	shelf depth 14 3/8"	7163
	MBA	108	42	37	399	shelf depth 14 3/8"	7583
	OBA	120	42	37	431	shelf depth 14 3/8"	8004

specification codes	series	sku	veneer	edge style	teleadapt location	finish	surface vault location
	<input type="checkbox"/> powerbar		<input type="checkbox"/> cherry <input type="checkbox"/> maple <input type="checkbox"/> oak <input type="checkbox"/> walnut	<input checked="" type="checkbox"/> wood edge <input type="checkbox"/> aluminum edge	<input checked="" type="checkbox"/> none <input type="checkbox"/> center <input type="checkbox"/> both ends <input type="checkbox"/> center and both ends	see appendix	<input checked="" type="checkbox"/> none <input type="checkbox"/> center <input type="checkbox"/> both ends



**bar height powerbar table**

24" w console designed for use against wall with aluminum trim and shelf power options for one side only. 48" to 120" long in 12" increments. Removable brushed stainless steel finish wireway access cover. TeleAdapt and Surface Power Vaults specified separately.

	sku	w	d	h	weight	specifications	price
	C9B	48	24	43	176	shelf depth 14 1/4"	\$4309
	E9B	60	24	43	199	shelf depth 14 1/4"	4574
	G9B	72	24	43	222	shelf depth 14 1/4"	4883
	I9B	84	24	43	246	shelf depth 14 1/4"	5149
	K9B	96	24	43	269	shelf depth 14 1/4"	5417
	M9B	108	24	43	292	shelf depth 14 1/4"	5686
	O9B	120	24	43	316	shelf depth 14 1/4"	5956
	C0B	48	30	43	192	shelf depth 8 3/8"	4788
	E0B	60	30	43	217	shelf depth 8 3/8"	5106
	G0B	72	30	43	242	shelf depth 8 3/8"	5511
	I0B	84	30	43	267	shelf depth 8 3/8"	5831
	K0B	96	30	43	293	shelf depth 8 3/8"	6153
	M0B	108	30	43	318	shelf depth 8 3/8"	6476
	O0B	120	30	43	343	shelf depth 8 3/8"	6800
	CAB	48	36	43	218	shelf depth 11 3/8"	5225
	EAB	60	36	43	247	shelf depth 11 3/8"	5596
	GAB	72	36	43	276	shelf depth 11 3/8"	6056
	IAB	84	36	43	304	shelf depth 11 3/8"	6429
	KAB	96	36	43	333	shelf depth 11 3/8"	6805
	MAB	108	36	43	362	shelf depth 11 3/8"	7181
	OAB	120	36	43	391	shelf depth 11 3/8"	7558
	CBB	48	42	43	251	shelf depth 14 3/8"	5662
	EBB	60	42	43	284	shelf depth 14 3/8"	6089
	GBB	72	42	43	317	shelf depth 14 3/8"	6600
	IBB	84	42	43	350	shelf depth 14 3/8"	7028
	KBB	96	42	43	383	shelf depth 14 3/8"	7457
	MBB	108	42	43	416	shelf depth 14 3/8"	7886
	OBB	120	42	43	448	shelf depth 14 3/8"	8318

**specification codes**

**series**

powerbar

**sku**

\_\_\_\_\_

**veneer**

- cherry
- maple
- oak
- walnut

\_\_\_\_\_

**edge style**

- wood edge
- aluminum edge

\_\_\_\_\_

**teleadapt location**

- none
- 1 center
- 2 both ends
- 3 center and both ends

\_\_\_\_\_

**finish**

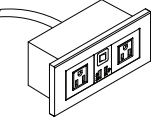
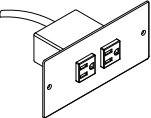
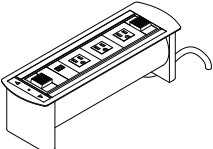
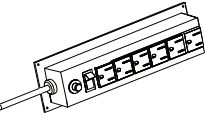
see appendix

\_\_\_\_\_

**surface vault location**

- none
- 11 center
- 12 both ends

\_\_\_\_\_

description	sku	w	d	h	weight	specifications	price
 <p><b>teleadapt</b></p> <p>VTT</p> <p>6½ 2¾ 3¼</p> <p>grounded plug</p> <p>aluminum and black trim bezels included            9' cord with grounded plug            2 grounded outlets            one 2.1 amp USB outlet            one 1.0 amp USB outlet            120 volt - 10 amp            UL approved            recess depth of 2¾"            2" clearance below unit required to allow cables to exit            specify location            specify series code G</p>	VTT	6½	2¾	3¼		grounded plug	\$ 515
 <p><b>teleadapt</b></p> <p>VHW</p> <p>6½ 2¾ 3¼</p> <p>hardwired</p> <p>black face plate            6' hardwired whip            2 grounded outlets            120 volt - 12 amp            UL approved            recess depth of 2¾"            specify location            specify series code C</p>	VHW	6½	2¾	3¼		hardwired	515
 <p><b>surface power vault</b></p> <p>STV</p> <p>13¾ 4¼ 4½ 5</p> <p>surface mount            3 outlets            1 USB port            aluminum frame            specify location            specify series code C</p>	STV	13¾	4¼	4½	5		1311
 <p><b>power harness</b></p> <p>VER</p> <p>10½ 2 1¾ 10</p> <p>10' cord with ground plug            15 amp circuit breaker            6 grounded outlets            black plastic, surface mount, rocker switch            UL/CSA approved, rated for 120 volt 60 Hz at 15 amps            specify series code C</p>	VER	10½	2	1¾	10		130

specification codes

series

sku

veneer

style

pull/hardware

finish

C  
 G

none

none

none