

The 584 and 585 Alta are standard with perforated leather back pads.

Available only in Rogue and Essential leather from Bernhardt Textiles. Consult [Bernhardttextiles.com](http://Bernhardttextiles.com) for colorways.

For the perforated leather for the back pad, specify the Pique pattern: indicate the Rogue or Essential item number for the chosen colorway with a “P” suffix after the item number.

There is a \$1.00 sq. ft. upcharge for the Pique pattern.

*Note: The leather specified on the body of the chair will be used for the perimeter welt of the perforated back pads.*

BERNHARDT | textiles

essential

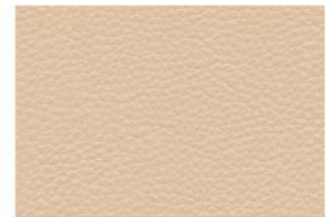
hide size: 48-50 approximate sq. ft.  
 content: enhanced full grain leather with slight protective top coat  
 primary use: upholstery  
 offered as COL only



BERNHARDT | textiles

rogue

hide size: 50-55 approximate sq. ft.  
 content: aniline leather with all the distinct features of a natural hide  
 primary use: upholstery  
 offered as COL only



P code added to end of sku number for pique pattern

### Environmental Attributes

Certifications:	Greenguard Indoor Air Quality certified Level® 1 certified to ANSI/BIFMA e3 standard
Recycled Content:	36%
Post-Consumer:	17%
Pre Consumer:	19%
Recyclable Content:	95%



### Donati Epron Plus Syncro-Tilt Mechanism



#### Kg Tension

Pull the lever or knob out, turn clockwise to increase resistance and anticlockwise to decrease resistance.

Once adjusted, the lever/knob automatically returns to its location.



#### Seat Height

Pull the lever upwards and press down on the seat in order to lower the height.

Remove weight from the seat in order to raise the height.



#### Back Lock

Pull the lever upwards to unlock the backrest.

Pull the lever down and lean against the backrest to recline the seat and back until you find the required position.





## High-Back Models

- 581 High-Back w/ plain back
- 581F Fixed height high-back w/ plain back  
Fixed seat height 19 1/4"

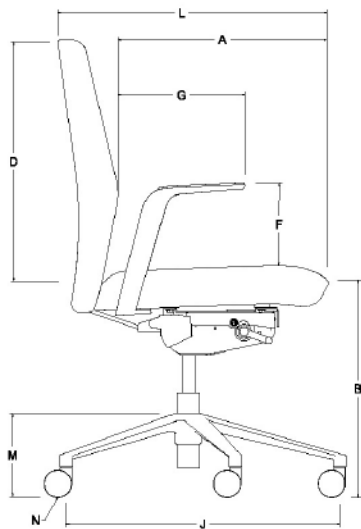
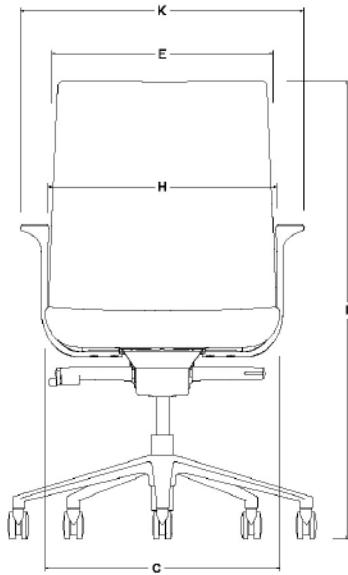
Syncro-tilt Donati mechanism  
Polished die cast alum arms w/ thin upholstered pad  
Polished die cast alum 5 star base  
Molded urethane seat and back

### Upholstery:

Seat, Back & Arm Caps – 2.5 yards / 32.0 square feet

## 581 alta swivel chair

### Product Dimensions:



<b>Code</b>	<b>Description</b>	<b>Measurement</b>
A	Seat Depth	18" 457mm
B	Seat Height	17 1/2" to 20 1/2" 445mm to 520mm
C	Seat Width	19 5/8" center of seat 500mm
D	Back Height (inside)	20 5/8" from seat to top of back 524mm
E	Back Width	19 1/2" at seat; 18" at top 495mm to 457mm
F	Arm Height	7" above seat 178mm
G	Distance to front of arm	24 " to 27" from the floor 610mm to 686mm
H	Distance between arms	19 5/8" 500mm
I	Overall Height	36 3/8" to 39 3/8" 924mm to 1000mm
J	Base Diameter	27" 686mm
K	Width	24 1/2" outside of arms 622mm
L	Depth	23 1/8" chair body 587mm
M	Base Height	27" base 686mm
N	Caster	7 1/4" 184mm
		2 3/8" wheel diameter 65mm

BERNHARDT | design

582 alta swivel chair



### Mid-Back Upholstered Back Pad Models

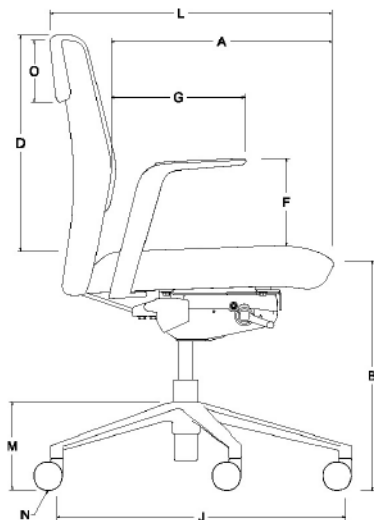
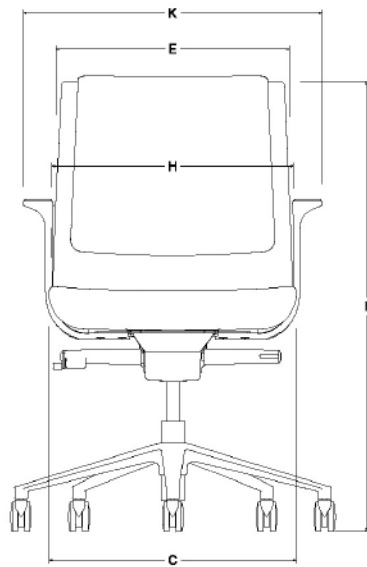
- 582 Mid-Back w/ upholstered plain back pad
  - 582F Fixed height mid-back w/ upholstered plain back  
Fixed seat height 19 1/4"
- Syncro-tilt Donati mechanism  
 Polished die cast alum arms w/ thin upholstered pad  
 Polished die cast alum 5 star base  
 Molded urethane seat and back

Upholstery:

A – Seat, Back & Arm Caps	2.0 yards / 30.0 square feet
B – Back Pad	1.0 yards / 13.5 square feet

*The welt around the back pad will match the color of the BACK PAD*

### Product Dimensions:



<u>Code</u>	<u>Description</u>	<u>Measurement</u>
A	Seat Depth	18" 457mm
B	Seat Height	17 1/2" to 20 1/2" 445mm to 520mm
C	Seat Width	19 5/8" center of seat 500mm
D	Back Height (inside)	17 1/4" from seat to top of back 438mm
E	Back Width	19 1/2" at seat; 18 1/4" at top 495mm to 464mm
F	Arm Height	7" above seat 178mm
G	Distance to front of arm	24 " to 27" from the floor 610mm to 686mm
H	Distance between arms	19 5/8" 500mm
I	Overall Height	33 3/4" to 36 3/4" 857mm to 933mm
J	Base Diameter	27" 686mm
K	Width	24 1/2" outside of arms 622mm 27" base 686mm
L	Depth	23" chair body 584mm 27" base 686mm
M	Base Height	7 1/4" 184mm
N	Caster	2 3/8" wheel diameter 65mm
O	Back Pad	5" distance pad overlaps back 127mm



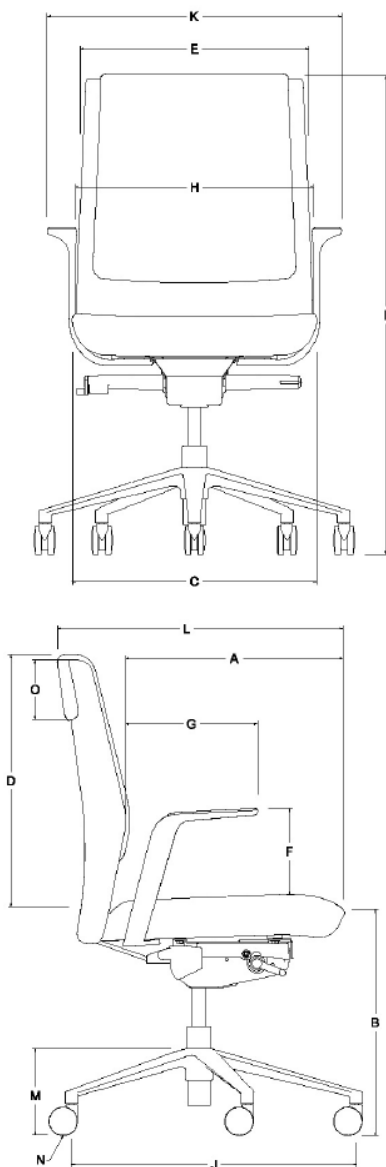
**High-Back Upholstered Back Pad Models**

- 583 High-Back w/ upholstered plain back pad
- 583F Fixed height high-back w/ upholstered plain back  
Fixed seat height 19 1/4"
- Syncro-tilt Donati mechanism
- Polished die cast alum arms w/ thin upholstered pad
- Polished die cast alum 5 star base
- Molded urethane seat and back

Upholstery:  
 A – Seat, Back & Arm Caps 2.5 yards / 32.0 square feet  
 B – Back Pad 1.0 yards / 13.5 square feet

*The welt around the back pad will match the color of the BACK PAD*

**Product Dimensions:**



<u>Code</u>	<u>Description</u>	<u>Measurement</u>
A	Seat Depth	18" 457mm
B	Seat Height	17 1/2" to 20 1/2" 445mm to 520mm
C	Seat Width	19 5/8" center of seat 500mm
D	Back Height (inside)	20 7/8" from seat to top of back 530mm
E	Back Width	19 1/2" at seat; 18" at top 495mm to 457mm
F	Arm Height	7" above seat 178mm 24 " to 27" from the floor 610mm to 686mm
G	Distance to front of arm	11" 280mm
H	Distance between arms	19 5/8" 500mm
I	Overall Height	36 5/8" to 39 5/8" 930mm to 1006mm
J	Base Diameter	27" 686mm
K	Width	24 1/2" outside of arms 622mm 27" base 686mm
L	Depth	23 5/8" chair body 600mm 27" base 686mm
M	Base Height	7 1/4" 184mm
N	Caster	2 3/8" wheel diameter 65mm
O	Back Pad	5" distance pad overlaps back 127mm



**Mid-Back Perforated Upholstered Back Pad Models**

584 Mid-Back w/ upholstered perforated leather back pad  
Available only in Rogue or Essential leather from Bernhardt Textiles

584F Fixed height mid-back w/ upholstered perforated  
Leather back pad fixed seat height 19 1/4"

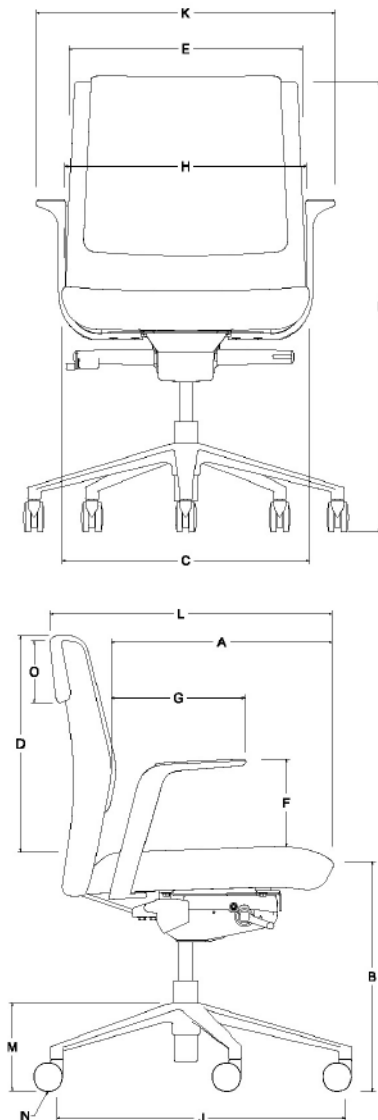
Syncro-tilt Donati mechanism  
Polished die cast alum arms w/ thin upholstered pad  
Polished die cast alum 5 star base  
Molded urethane seat and back

**Upholstery:**

A – Seat, Back, Arm Caps, Back Pad Welt 30.0 square feet  
B – Back Pad 13.5 square feet

*The welt around the back pad will match the color of the UPHOLSTERED PAD*

**Product Dimensions:**



<b>Code</b>	<b>Description</b>	<b>Measurement</b>
A	Seat Depth	18" 457mm
B	Seat Height	17 1/2" to 20 1/2" 445mm to 520mm
C	Seat Width	19 5/8" center of seat 500mm
D	Back Height (inside)	17 1/4" from seat to top of back 438mm
E	Back Width	19 1/2" at seat; 18 1/4" at top 495mm to 464mm
F	Arm Height	7" above seat 178mm 24 " to 27" from the floor 610mm to 686mm
G	Distance to front of arm	11" 280mm
H	Distance between arms	19 5/8" 500mm
I	Overall Height	33 3/4" to 36 3/4" 857mm to 933mm
J	Base Diameter	27" 686mm
K	Width	24 1/2" outside of arms 622mm 27" base 686mm
L	Depth	23" chair body 584mm 27" base 686mm
M	Base Height	7 1/4" 184mm
N	Caster	2 3/8" wheel diameter 65mm
O	Back Pad	5" distance pad overlaps back 127mm



**High-Back Perforated Upholstered Back Pad Models**

585 High-Back w/ upholstered perforated leather back pad  
Available only in Rogue or Essential leather from Bernhardt Textiles

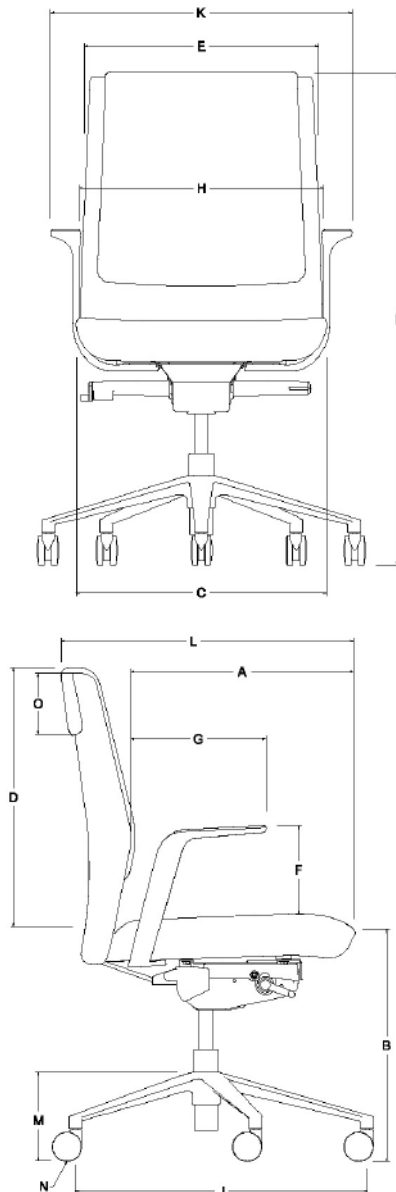
585F Fixed height high-back w/ upholstered perforated  
Leather back pad, fixed seat height 19 ¼"

Syncro-tilt Donati mechanism  
Polished die cast alum arms w/ thin upholstered pad  
Polished die cast alum 5 star base  
Molded urethane seat and back

Upholstery:  
A – Seat, Back, Arm Caps, Back Pad Welt 32.0 square feet  
B – Back Pad 13.5 square feet

*The welt around the back pad will match the color of the UPHOLSTERED PAD*

**Product Dimensions:**



<u>Code</u>	<u>Description</u>	<u>Measurement</u>
A	Seat Depth	18" 457mm
B	Seat Height	17 ½" to 20 ½" 445mm to 520mm
C	Seat Width	19 5/8" center of seat 500mm
D	Back Height (inside)	20 7/8" from seat to top of back 530mm
E	Back Width	19 ½" at seat; 18" at top 495mm to 457mm
F	Arm Height	7" above seat 178mm
G	Distance to front of arm	24 " to 27" from the floor 610mm to 686mm
H	Distance between arms	11" 280mm
I	Overall Height	19 5/8" 500mm
J	Base Diameter	27" 686mm
K	Width	24 ½" outside of arms 622mm
L	Depth	27" base 686mm
M	Base Height	23 5/8" chair body 600mm
N	Caster	27" base 686mm
O	Back Pad	7 ¼" 184mm
		2 3/8" wheel diameter 65mm
		5" distance pad overlaps back 127mm