

traction

electrical installation instructions

january 2018

Instructions and Warnings

SAVE THESE INSTRUCTIONS

WARNING:

Risk of injury, electrical shock or fire!

Rated at 120 Volts, 12 Amps, 1440 Watts, 60 Hz

Use only grounded SJT 14 AWG cord.

Do not operate this equipment unless properly trained.

See installation and operating instructions for intended use.

Maximum load **200 lbs.** Includes weight of worksurface.

Intended for *commercial use only*.

For use with Powered Table System Series: Bernhardt Multipurpose Training Tables.

Maximum of **(8)** Power Units can be connected with a single power cord.

Multipurpose tables intended to only be connected by power unit to directly adjacent multipurpose tables.

CONSERVEZ CES INSTRUCTIONS

MISE EN GARDE:

Risque de blessure, de choc électrique ou de feu !

Puissance nominale de 120 Volts, 12 Amps, 1 440 Watts, 60 Hz.

Utilisation uniquement relié à la terre Cordon EJS 14 AWG.

N'utilisez pas cet appareil sans une formation adéquate.

Voir Notice de montage et d'exploitation charge pour l'utilisation prévue.

Charge maximale **200 lbs** comprend le poids de la surface de travail.

Destiné uniquement à des fins commerciales.

Pour une utilisation avec Powered Table système série : tableaux de formation polyvalente Bernhardt.

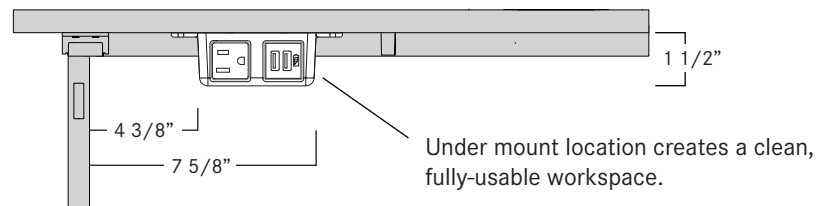
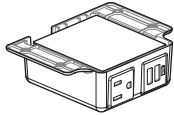
Unités de puissance maximale (8) peut être connectées avec un câble d'alimentation unique.

Tables multifonctions destinés à n'être connectés par unité de puissance aux tables multifonctions directement adjacents.

Dual Under Mount Power Module

The dual under mount power module is offered for the Traction training table. The module is available as (1) receptacle and (1) dual port USB, shown below. This unit is a great option because it leaves the worksurface free of any distraction and allows for the full use of the entire top.

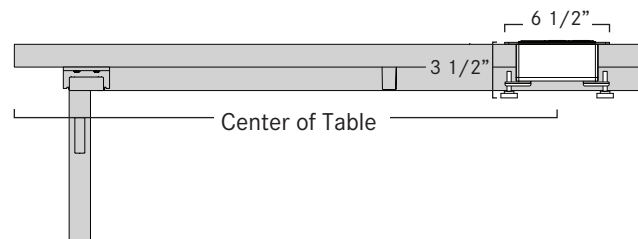
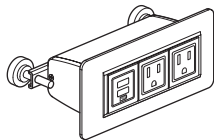
- (1) Receptacle
- (1) Dual Port USB (2 Amps per Port)



Surface Mount Power Module

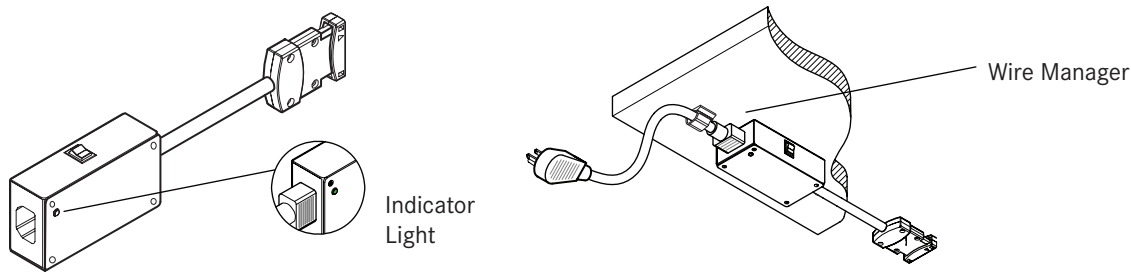
The Surface Mount power module is offered for the Traction training tables. Surface mount offers a flush mount power and data center, delivering a clean, refined solution for flat work surfaces. The module is available as (2) receptacles and (1) dual port USB, shown below.

- (2) Receptacles
- (1) Dual Port USB (2 amps per port)



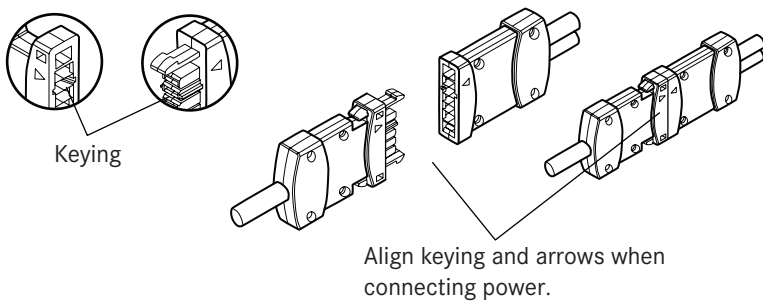
Power Module Control Unit

Bernhardt design explores new ways to connect power with Interlink IQ's Power Infeed. The power infeed allows the user to connect up to (8) under mount power modules or (4) surface mount power modules off a single infeed. The power infeed was also created with smart LED indicators that illuminate green when you're connected and ready to plug in.



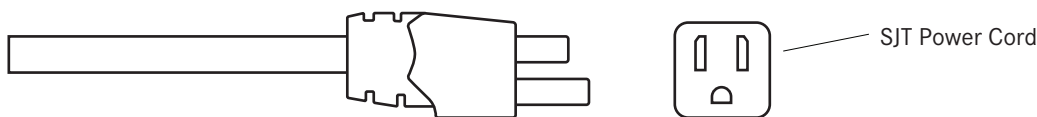
Modular Connector

Modular connector allows for the use of a specified whip, for longer extension, or the connection of multiple work surfaces on a single power source. The jumper, for use with the power pantry, is 60" in length and requires the specification of a separate whip and connector. **When connecting whips together make sure that you align the keys and arrows before pushing together the whip connectors, this will ensure a safe and strong electrical connection.**



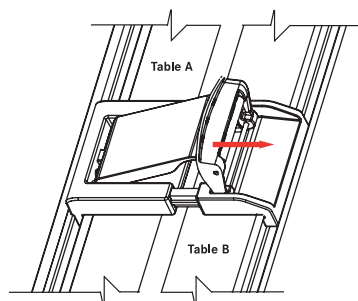
Electrical Cord

The dual under mount and surface mount power modules are both provided with a grounded, SJT power cord. These products are for use only with a nominal 120 volt circuit and has a grounded plug as illustrated below. Make sure that these power modules are connected to an outlet having the same configuration as the plug. No adapter should be used with these power modules.

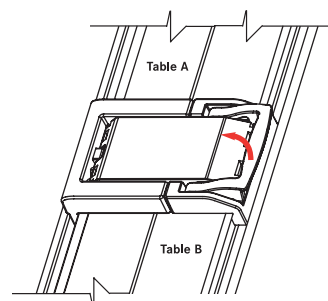


Ganging Bracket

Ganging brackets are an optional purchase for Traction. This element levels out table tops, lateral or cross linking.



Open Position
Close grey flap handle to pull tops together.



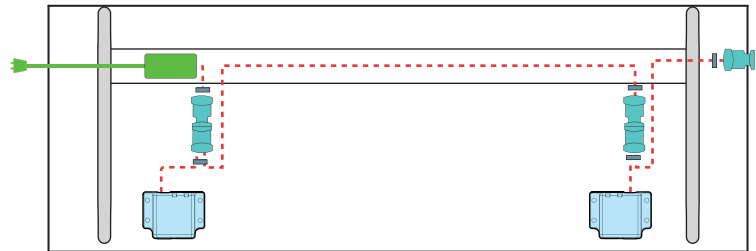
Closed Position
Lift grey handle to release top.

Dual Under Mount Power Module and Connection

Traction offers a unique proprietary under mount power solution allowing quick and easy “daisy chaining” of tables. For the dual under mount configuration, up to 4 tables may be connected to a single power infeed. The dual under mount power configuration uses a (1) receptacle and (1) dual port USB module that comes mounted at the edge of the table. The power assembly and the Traction tables are UL 962 and CSA 22.2, No. 203.2 approved. The illustration below is of a Traction starter table which must be specified to begin a run.

Installation Accessories

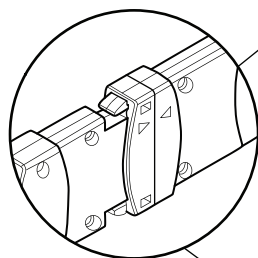
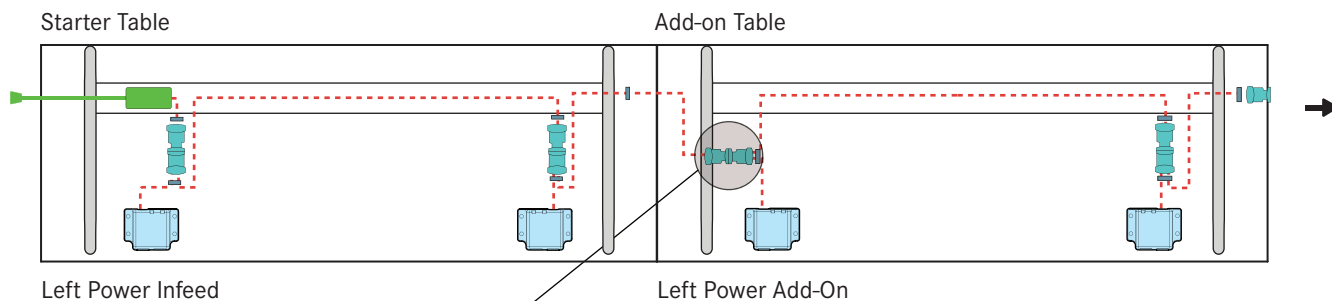
- A Dual Under Mount Power Module** —
Contains (1) 15 Amp receptacle and (2) amp USB port for each power module.
- B Modular Connector** —
A modular connection to help the user connect multiple work surfaces.
- C Power Module Control Unit** —
Control module with 10' grounded plug. Allows users to connect up to 8 power/data centers off of one feed.
(4) Dual power tables.
- D Power Module Wiring** —
A plug designed to be inserted into a receptacle in one position only.
- E Wire Management Clip** —
Attaches to the bottom of the table, helps secure whips when connected. Approved for GSA.



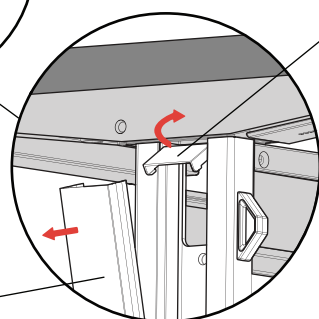
Note: All power and wiring is pre-installed on starter and add-on tables. Specify a right or left power infeed for the starter and add-on table configurations.

Connection Instructions

When starting to connect your power you first need to identify your starter table SKU (pictured above is a starter table, found with a power module control unit and grounded plug). Next you will want to gang your starter table with your first add-on table using the separately purchased ganging brackets. To power the add-on table, pull the long modular connector wire from the starter table through the wire management clips. Locate the modular connector near the edge of the adjacent table trough. Match the keying, indicated by the arrows on the modular connects, and press the connectors together. Repeat for all tables in line, up to (8) power modules.



After you have finished connecting your jumper whips you can tuck them back into the table trough, a concealed under mounted storage system, and move on to connecting your next table.



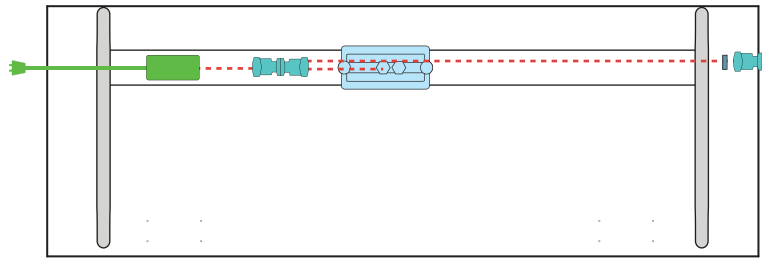
To connect two adjacent Traction tables with the modular connectors from separate power units, you must lift the cord pass flap first then pull the leg cover out of the leg upright. This will give ample room for the large modular connector to pass from the storage trough.

Surface Mount Power Module and Connection

Traction offers a proprietary surface mount power solution allowing quick and easy “daisy chaining” of tables. For the surface mount configurations up to (8) tables may be connected on a single power infeed. The surface mount power configuration uses a (2) receptacle / (1) dual port USB module flush mounted in the center of the table. The power assembly and the Traction tables are UL 962 and CSA 22.2, No. 203.2 approved. The illustration below is of a Traction starter table which must be specified to begin a run.

Installation Accessories

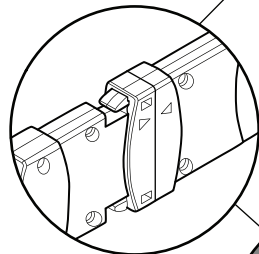
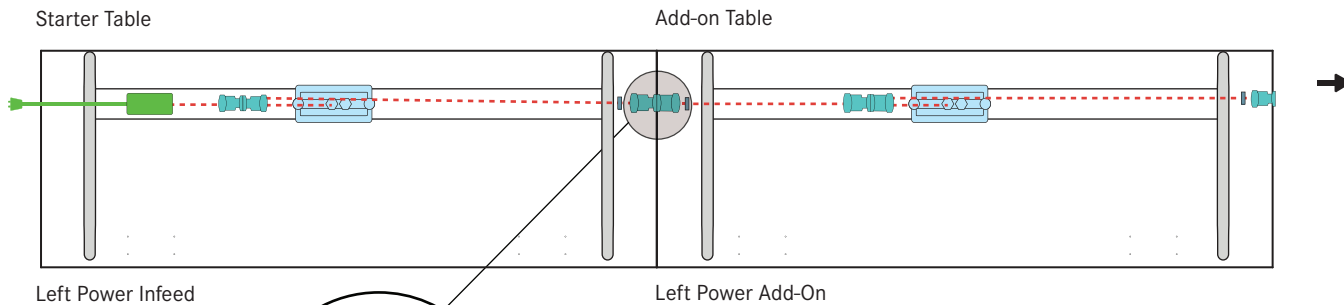
- A Surface Mount Power Module** ■
Contains (2) 15 Amp receptacles and (2) amp USB port for each power module.
- B Modular Connector** ■
A modular connection to help the user connect multiple work surfaces.
- C Power Module Control Unit** ■
Control module with 10' grounded plug. Allows users to connect up to 8 power/data centers off of one feed.
- D Power Module Wiring** ■
A plug designed to be inserted into a receptacle in one position only.
- E Wire Management Clip** ■
Attaches to the bottom of the table, helps secure whips when connected. Approved for GSA.



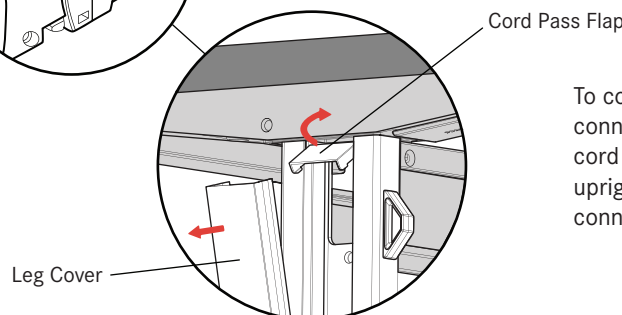
Note: All power and wiring is pre-installed on starter and add-on tables. Specify a right or left power infeed for the starter and add-on table configurations.

Connection Instructions

When starting to connect your power you first need to identify your starter table SKU (picture above is a starter table, found with a power module control unit and grounded plug). Next you will want to gang your starter table with your first add-on table using the separately purchased ganging brackets. To power the add-on table, pull the long modular connector wire from the starter table through the wire management clips. Locate the module connector near the edge of the adjacent table trough. Match the keying, indicated by the arrows on the modular connects, and press the connectors together. Repeat for all tables in line. 48”-60”w Tables: A maximum of (7) add-on tables are possible for a total of (8) daisy chained tables. 66”-70”w Tables: A maximum of (3) add-on tables are possible for a total of (4) daisy chained tables.



After you have finished connecting the modular connectors, tuck them back into the table trough, a concealed storage system, and move on to connecting your next table.



To connect two adjacent Traction tables with the modular connectors from separate power units, you must lift the cord pass flap first then pull the leg cover out of the leg upright. This will give ample room for the large modular connector to pass from the storage trough.

