

Matera Conference Table Installation Instructions

Read the following installation instructions for Matera table assembly. All tables follow the same installation instructions regardless of height or width. SAVE THESE INSTRUCTIONS.

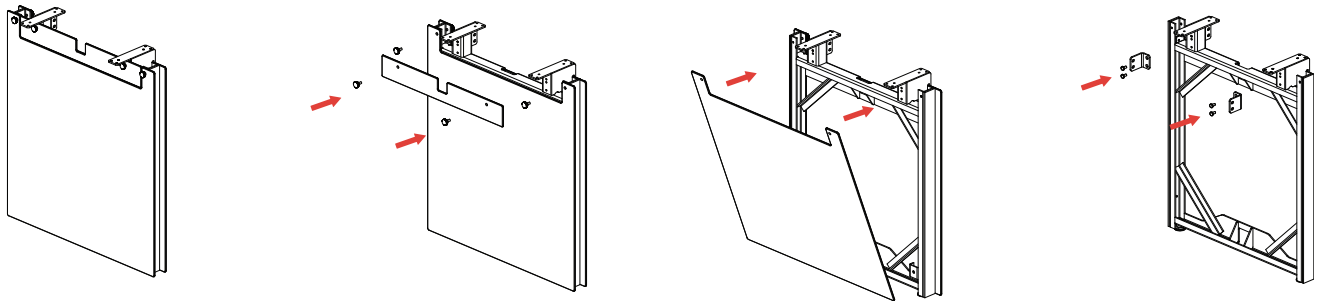
Begin by carefully removing all components from the box, placing the top assembly upright, in its desired location. Matera table bases will come pre-assembled and support rails attached to the top SKU. **DO NOT LIFT OR CARRY THE TABLE ASSEMBLY BY THE END OF THE RAILS.**

Matera tables will come with the following hardware required for installation:

- (12) #8 x 1-1/4" Washer Head Wood Screws per base
- (4) #12 x 1" Self-drilling Hex Head Screws per base
- (4) 1/4-20 x 1/2" Hex Head Screw per center base bracket
- Matera Mending Plate & Screws (1 kit or more)

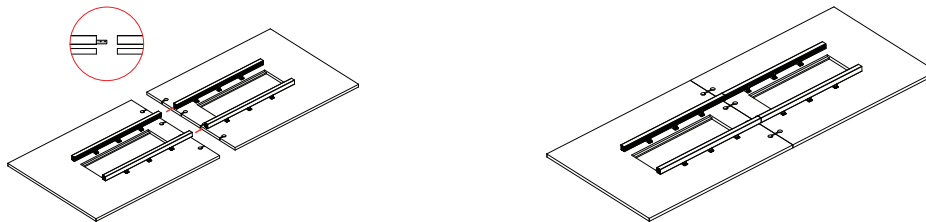
1 Base Disassembly for Installation

After unpacking the bases carefully remove the exterior panels to make the base easier to maneuver during table assembly. Remove the thumbscrews on the end cap and top of the panels. Carefully lift the panel and remove. If necessary attach center base brackets with provided hardware.



2 Top Assembly (if two or more sections)

If the top assembly has two or more sections, carefully place the top face down on the floor with the rails on top. Mount the included Matera Mending Plate with included 1" Self-drilling screws. Afterwards, carefully slide the table sections together and attach remaining screws.



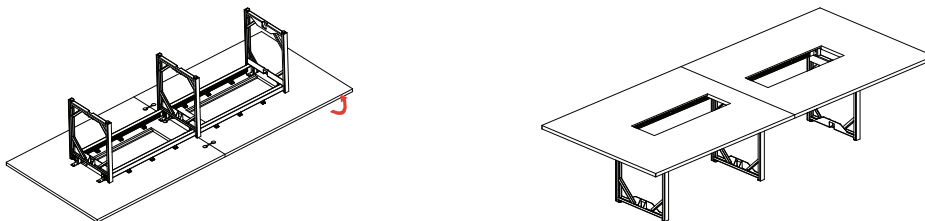
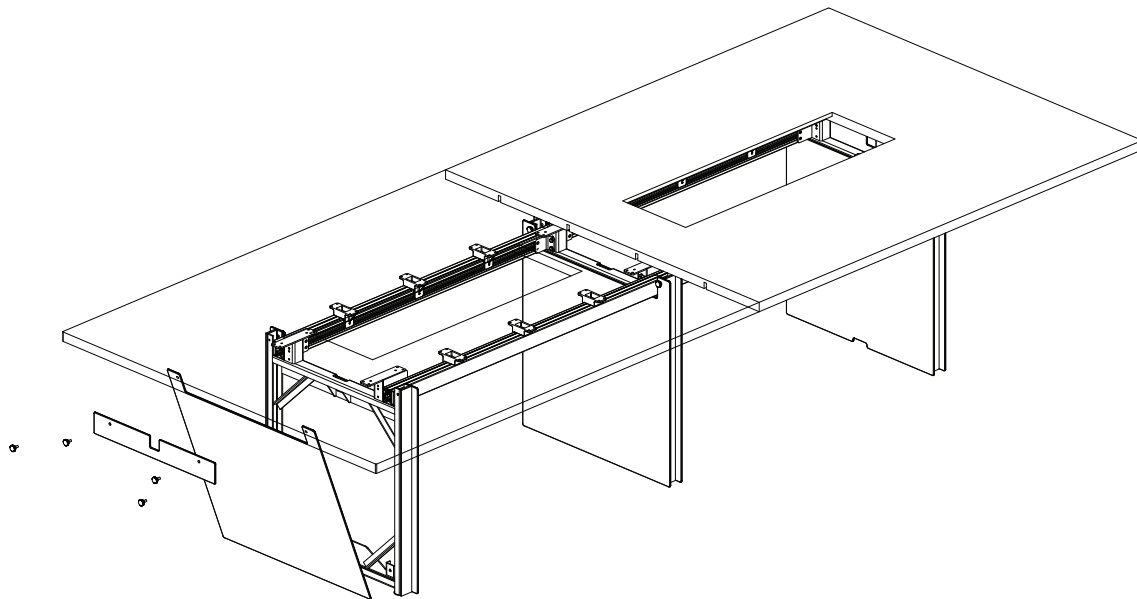
3 Base Attachment to Table Top

Once table top is fully assembled, attach bases in pre-machined locations on top using provided #8 x 1-1/4" hardware. Using the provided #12 x 1" self-drilling screws to attach the bases to the rails. Repeat for all bases included in the assembly.



Matera Conference Table Installation Instructions

Read the following installation instructions for Matera table assembly. All tables follow the same installation instructions regardless of height or width. SAVE THESE INSTRUCTIONS.

4 Flip Table Upright Carefully.**5 Base Panel Assembly**
Once the table has been placed upright, replace the exterior finish panels.

Install grommets if necessary.